



The People You Know. The Products You Trust.



*Trailer mounted option shown

SuperVac Aero™

2 Cubic Yard Portable Slide-In/Trailer Sweeper

*Sweeper shown with optional equipment

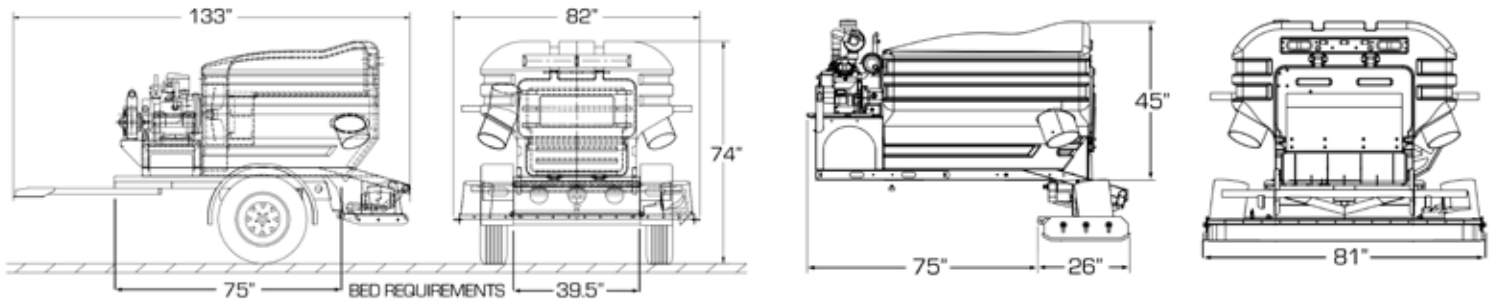
- Polyethylene Construction
- Clean Air Curb Blower
- 78" Reverse Sweep Pickup Head
- 22 hp Gasoline Auxiliary Engine



Quality	Performance	Public Safety	Value	Customer Support

800.879.7933

www.schwarze.com



* TYPICAL MEASUREMENTS SHOWN. EXACT DIMENSIONS DEPENDING ON OPTIONS AND TRAILER MANUFACTURER

AUXILIARY ENGINE:

Manufacturer	Robin Subaru
Model	EH-65
Number of cylinders	V-twin cylinder (4-cycle)
Displacement	39.90 cu in (653 cc)
Compression ratio	8:3:1
Brake horsepower	22.0 hp @ 3,600 rpm
Starting system	Electric start
Fuel	Gasoline; 5 gal tank capacity
Oil filter	1.64 qt (1500 cc)
Charging system	12 V; 15 amp

DEBRIS HOPPER:

Volumetric capacity	2.0 cu yd (1.53 cu m)
Construction	Impact and abrasion-resistant polyethylene
Dust separator	Replaceable
Separator screen	Slide-in replaceable

FAN SYSTEM:

Type	Radial blade
Drive	Belt driven; 3V
Number of blades	6
Speed	3600 rpm
Diameter	20 in
Construction	Welded; abrasion-resistant steel
Mounting	Pillow block bearings

SWEEPING HEAD:

Type	Debris-moving blast and suction
Suspension	2 trailing arms
Construction	Steel
Width	78 in (1981 mm)
Flap design	2 flaps
Skids	Tungsten Carbide
Suction hose diameter	10 in (254 mm)
Pressure hose diameter	10 in (254 mm)
Lift/Lower	Manual crank winch

UNIT:

Stands	4; one at each corner
Curb Weight	1000 lbs (approximately)

WATER SYSTEM:

Type	Gravity-to-intake
Location	At sweeping head;
Controls	Outside at water tank
Tank capacity	25 gal (94.6 L)
Tank construction	Non-corrosive plastic

STANDARD EQUIPMENT:

Pulse-type fuel pump
 Full pressure lubrication
 Manual throttle & choke with remove cables
 Full flow spin-on oil filter
 Solenoid fuel shutdown carburetor
 Cast iron cylinder sleeves
 Oil pressure shut-off switch
 Large dual element air cleaner
 Large ball bearing on PTO side
 12 V electric starter with remote mount key switch
 Wireless rear view camera with 7" color monitor

OPTIONAL EQUIPMENT:

Strobe light
 Flood light
 Mounted clean air blower
 Backpack blower rack
 Trailer mounted

Note: design and specifications subject to change without notice.

SuperVac
Aero

Affiliates:



Schwarze Industries, Inc.
 1055 Jordan Road
 Huntsville, AL 35811
 800.879.7933
 An Alamo-Group Company

